

Install Manual – 5365-910 Rev D  
Miniprox™ Installation Manual

PARTS LIST (Included)	Quantity
- Miniprox™ Reader with snap-on cover and 18" cable (For terminal block versions no cable is supplied)	1
- #6-32 x 1" self-tapping panhead screw	2
- Installation manual	1
- Junction box (Hazardous installation version only)	1

PARTS LIST (Not-Included)	Quantity
- Wire splice	9
- DC Power supply 5.1 VDC or 12 VDC	1

## Mounting Instructions

- Determine an appropriate mounting location. The reader may be mounted to any surface, including metal.
- Drill two (2) 3/32-inch (2.5mm) holes approximately 1 inch deep for mounting the reader.
- Drill a 5/8-inch (16mm) hole for the cable.
- Remove the snap-on cover from the reader and secure the reader to the mounting surface.
- Route the cable from the reader and/or power supply to the host. A linear type power supply is recommended. Check all electrical codes for proper cable installation.
- For the cable connection to the Panel - Use Alpha #1299C or equivalent.
- Test the operation of the reader. After completion of the test, replace the snap-on cover.
- See sheet 3 of this manual for the appropriate dimensioned drawings.
- For proper regulatory compliance, the drain wire should be disconnected at the power supply end of the cable.
- Changes or modifications not expressly approved by the party responsible for compliance could void the user's authority to operate the equipment.
- The Reader is intended to be powered from a limited power source output of a previously certified power supply.
- In cold climates (-20°F), when operating the Reader from a 5V power supply, limit the cable distance to 200ft. For longer cable distances, 12V is required.

## Connecting the Reader to the Host

Connect the reader to the host according to the wiring table below and the host installation guide.

Wiegand	Clock & Data	Wire Color	Terminal Number
+DC	+DC	Red	TB1-1
Ground	Ground	Black	TB1-2
Data0	Data	Green	TB1-3
Data1	Clock	White	TB1-4
Shield Ground	Shield Ground	Drain	TB1-5
Green LED	Green LED	Orange	TB1-6
Red LED	Red LED	Brown	TB1-7
Beeper	Beeper	Yellow	TB1-8
Hold	Hold	Blue	TB1-9
---	Card Present	Violet	TB1-10

## Testing and Operation

- When power is applied to the reader the LED will flash green three (3) times while the beeper beeps simultaneously. The LED will then turn red. This indicates that the microcontroller is operating properly.
- Present an ID card to the reader. The LED will momentarily turn green while the beeper beeps once, indicating that the card was read successfully.

### Important Product Specifications

#### Power requirements (linear supply)

Operating Voltage Range	5.1 – 16.0 VDC
Peak Current	80 Ma
Average Current 5V or 12V	20 Ma

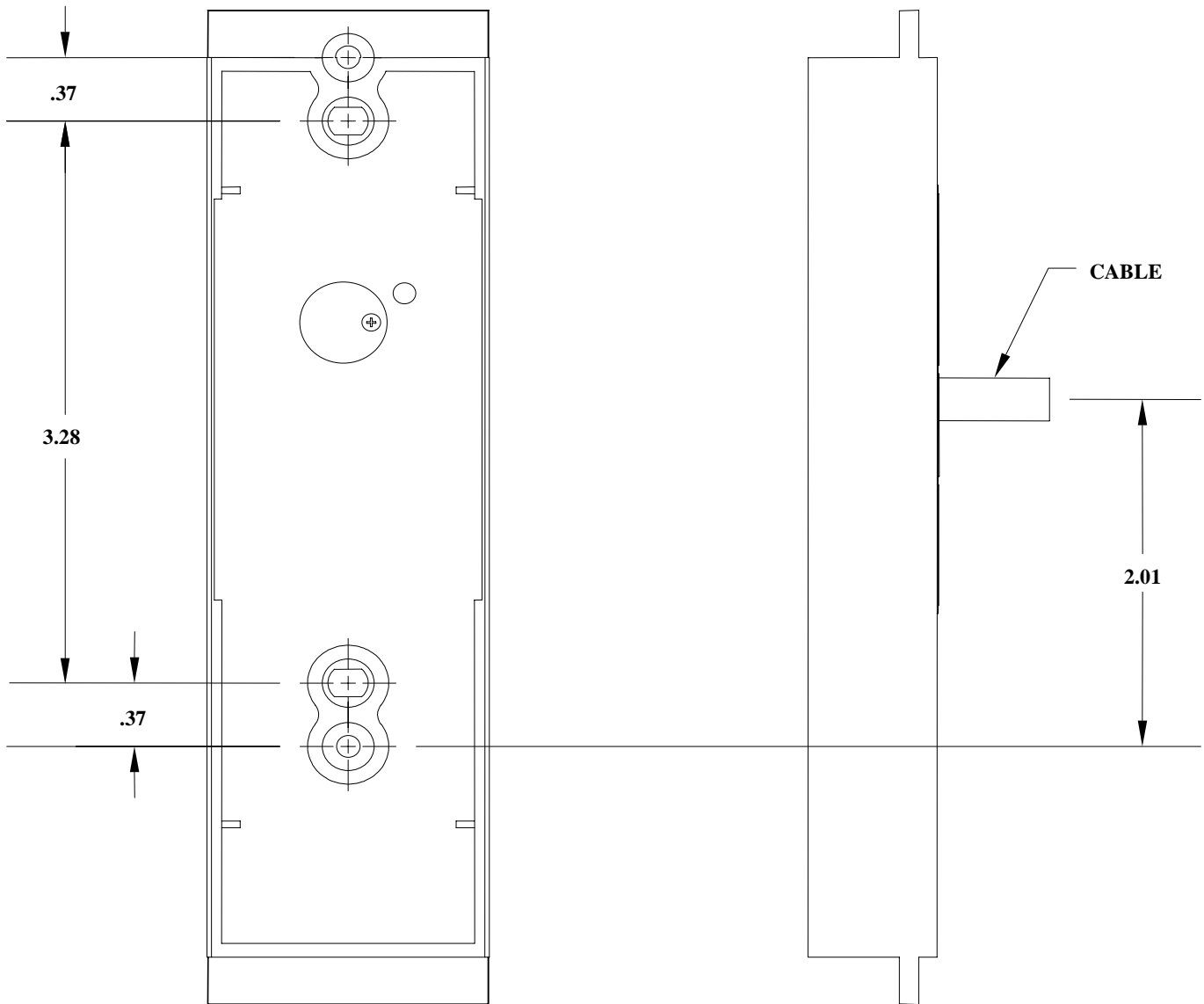
Maximum cable distance  
To host 500 ft (153 m)

Maximum cable distance  
To host @5V 200 ft (61 m)

**FCC Compliance Statement:** This device complies with part 15 of the FCC rules. Operation is subject to the following two conditions: (1) this device may not cause harmful interference, and (2) this device must accept any interference received, including

interference that may cause undesired operation.

# Pigtail Installation



**Figure 1**

## Terminal Block Installation

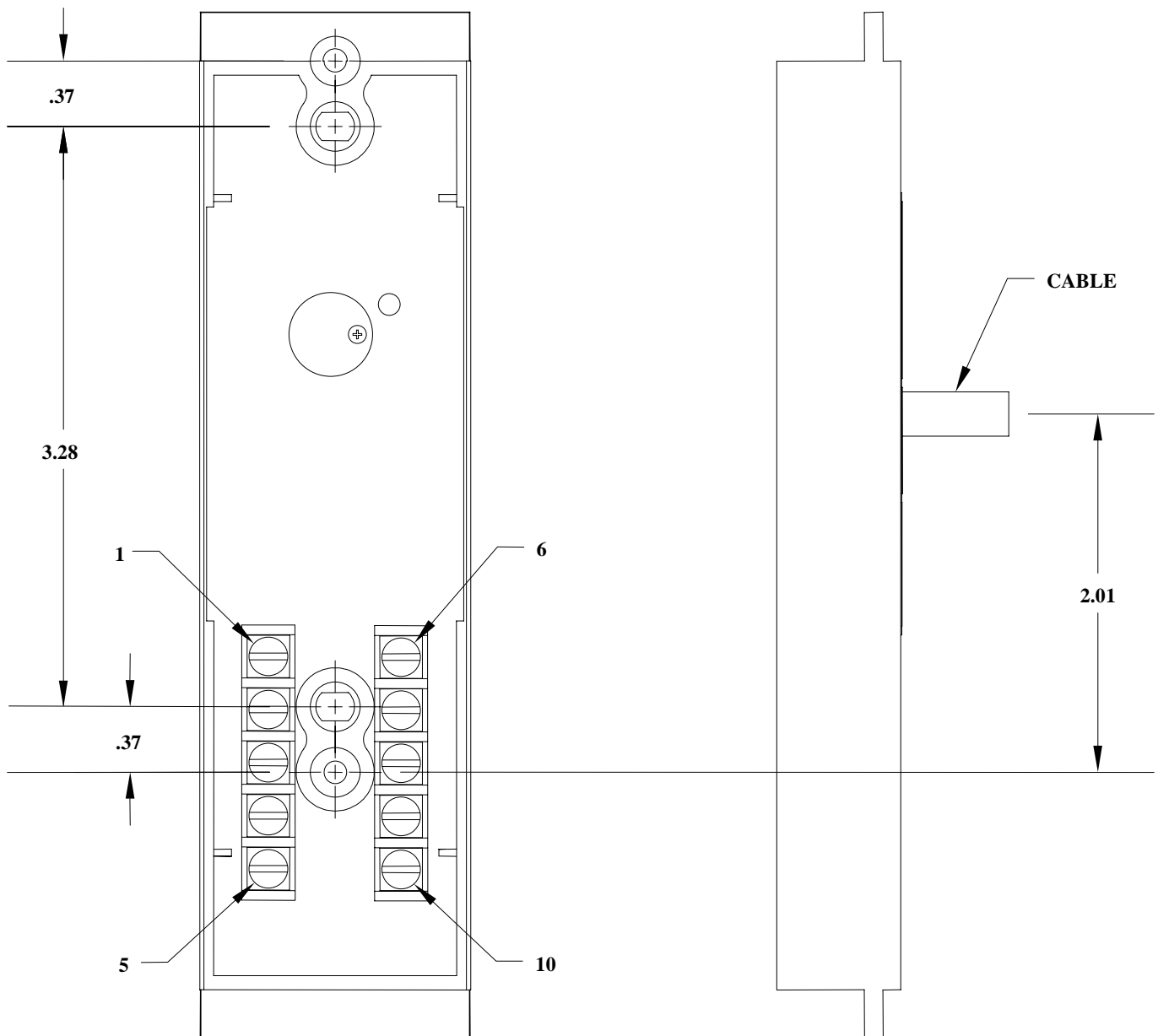
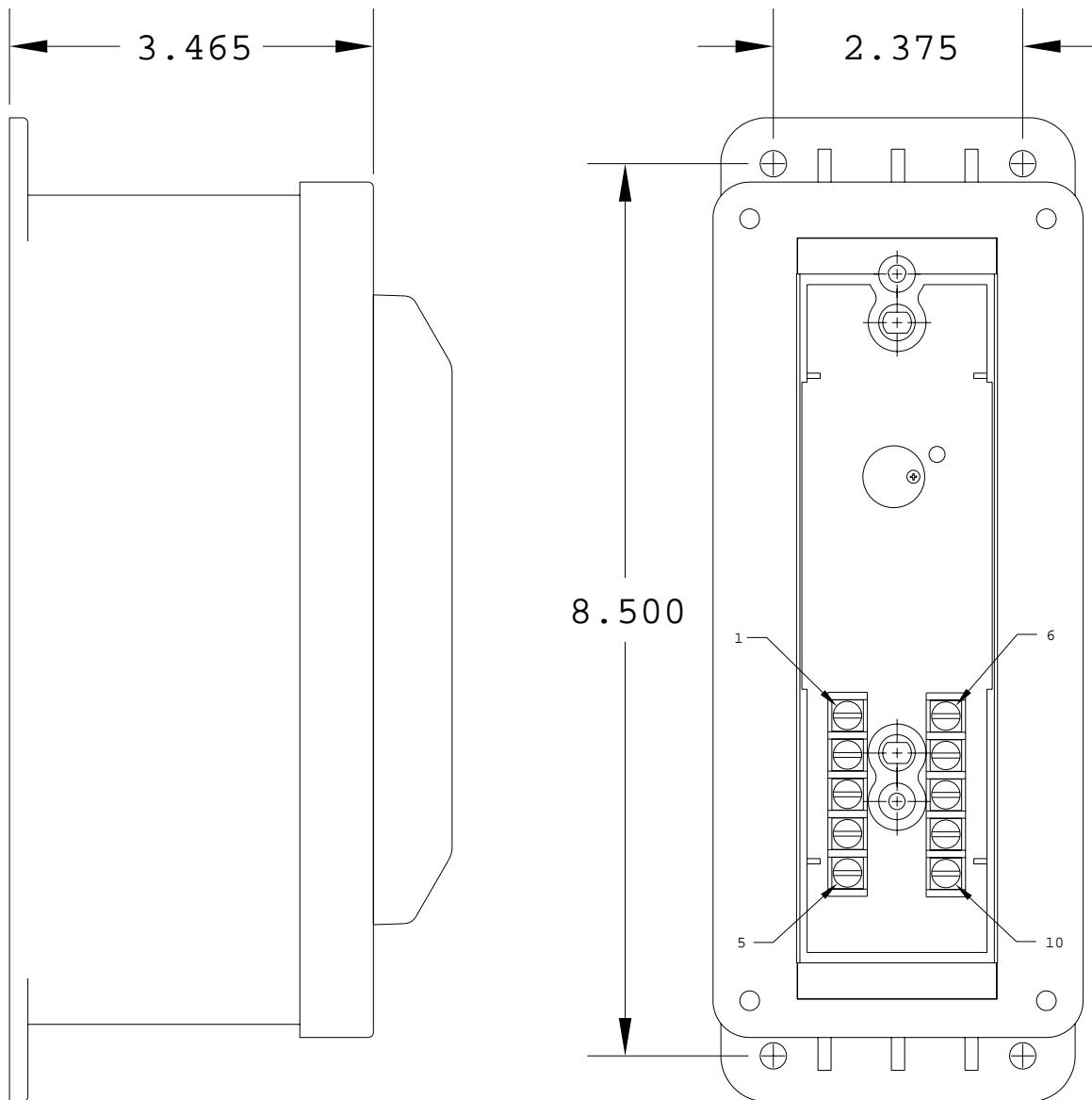


Figure 2

### Hazardous Location Installation (Pigtail or Terminal Block)



**Figure 3**