

TECHNICAL Practice

TELECOM SOLUTIONS FOR THE 21ST CENTURY

VE-Series

Surface Mount Boxes and Pedestals

October 19, 2010

Surface or Pedestal Mount EntraPASS Products While Maintaining Weather and Vandal Resistance

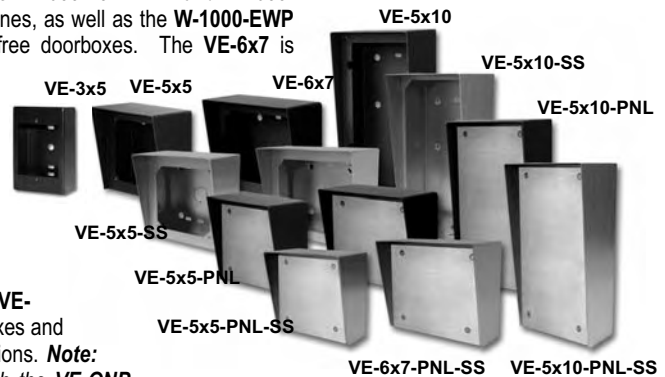


Caution: Handsfree phones are not suitable for noisy applications (see page 2).

The **VE-3x5**, **VE-5x5**, **VE-6x7** and **VE-5x10** add vandal and weather resistance, as well as versatility to many EntraPASS products. The **VE-Series** backboxes are available in black fine texture powder painted steel or Marine Grade 316 stainless steel. The weather resistant boxes are designed to be surface mounted to a wall, post, single gang box, or a **VE-GNP** gooseneck pedestal. **Note:** The **VE-3x5** is not compatible with the **VE-GNP** pedestals and is not available in stainless steel.

The **VE-3x5** is designed to be used with the **E-40-EWP** or **E-50-EWP** Series entry phones. The **VE-5x5** is designed to be used with the **E-10A-EWP**, **E-30-EWP**, **E-30-PT-EWP**, **E-60-EWP**, **E-65-EWP**, **E-70-EWP**, **E-75-EWP** entry phones, the **E-1600-20A-EWP** and **E-1600-30A-EWP** emergency phones, as well as the **W-1000-EWP** and **W-3000-EWP** handsfree doorboxes. The **VE-6x7** is designed to be used with the **K-1700-3-EWP** and **K-1705-EWP** entry phones and the **VE-5x10** is designed to be used with the **K-1900-7-EWP** and the **K-1900-8-EWP** vandal resistant phones.

The **VE-GNP** gooseneck pedestals are designed to be used with the **VE-5x5**, **VE-6x7** and **VE-5x10** backboxes and are ideal for drive up communications. **Note:** The **VE-3x5** is not compatible with the **VE-GNP** pedestals. The **VE-PNL**'s are **VE-Series** backboxes with a blank aluminum panel. The user can customize the clear-coated aluminum panel to mount an **HID-1** card reader, **HID-2** keypad or switch. The kits come complete with box, gasket, panel and screws. Model numbers that end with "SS" are stainless steel version.



Features

- Surface mounts to a wall, post or single gang box
- **VE-5x5** mounts to a single or double gang box
- **VE-5x5**, **VE-6x7** and **VE-5x10** mount to the **VE-GNP** gooseneck pedestals
- **VE-PNL**'s blank aluminum panels are easy to modify
- Adds weather and vandal resistance
- Heavy duty, black powder painted steel or stainless steel

Model	Shipping Weight (each)
VE-3x5	0.45 kg (1 lb)
VE-5x5 / SS / PNL	0.9 kg (2 lbs)
VE-6x7 / SS / PNL	0.9 kg (2 lbs)
VE-5x10 / SS / PNL	1.36 kg (3 lbs)
VE-GNP	8.2 kg (18 lbs)
VE-GNP-SS	4.5 kg (10 lbs)
VE-GNP-2	13.6 kg (30 lbs)
VE-GNP-IG	10.2 kg (22.5 lbs)

Applications

- The **VE-Series** Surface Mount Boxes are designed to surface mount the following products:

Model	DOD#	VE Model
E-10A-EWP	210	VE-5x5 / SS
E-30-EWP	212	VE-5x5 / SS
E-30-PT-EWP	214	VE-5x5 / SS
E-35-EWP	178	VE-5x5 / SS
E-40-EWP Series	187	VE-3x5
E-50-EWP Series	191	VE-3x5
E-60-EWP Series	206	VE-5x5 / SS
E-65-EWP Series	203	VE-5x5 / SS
E-70-EWP Series	207	VE-5x5 / SS
E-75-EWP Series	208	VE-5x5 / SS
E-1600-20A-EWP	215	VE-5x5 / SS
E-1600-30A-EWP	215	VE-5x5 / SS
K-1700-3-EWP	157	VE-6x7 / SS
K-1705-EWP	159	VE-6x7 / SS
K-1900-7-EWP	360	VE-5x10 / SS
K-1900-8-EWP	362	VE-5x10 / SS
W-1000-EWP	170	VE-5x5 / SS
W-3000-EWP	180	VE-5x5 / SS
W-3005-EWP	181	VE-5x5 / SS

IF YOU HAVE A PROBLEM WITH AN EntraPASS PRODUCT PLEASE CONTACT TECHNICAL SUPPORT AT (303) 670-1099

So that we can give you better service, before you call please:

1. Know the model number, the serial number and what software version you have (see serial label).
2. Have your Technical Practice in front of you.
3. It is best if you are on site.

RETURNING PRODUCT FOR REPAIR

The following procedure is for equipment that needs repair:

1. Customer must contact EntraPASS' Technical Support Department at 303-670-1099 to obtain a Return Authorization (RA) number. The customer MUST have a complete description of the problem, with all pertinent information regarding the defect, such as options set, conditions, symptoms, methods to duplicate problem, frequency of failure, etc.
2. Packing: Return equipment in original box or in proper packing so that damage will not occur while in transit. Static sensitive equipment such as a circuit board should be in an anti-static bag, sandwiched between foam and individually boxed. All equipment should be wrapped to avoid packing material lodging in or sticking to the equipment. Include ALL parts of the equipment. C.O.D. or freight collect shipments cannot be accepted. Ship cartons prepaid to:
EntraPASS, 8641 S. Road, Conifer, CO 80433.
3. Return shipping address: Be sure to include your return shipping address inside the box. We cannot ship to a P.O. Box.
4. RA number on carton: In large printing, write the R.A. number on the outside of each carton being returned.

RETURNING PRODUCT FOR EXCHANGE

The following procedure is for equipment that has failed out-of-box (within 10 days of purchase):

1. Customer must contact EntraPASS Technical Support at 303-670-1099 to determine possible causes for the problem. The customer MUST be able to step through recommended tests for diagnosis.
2. If the Technical Support Product Specialist determines that the equipment is defective based on the customer's input and troubleshooting, a Return Authorization (R.A.) number will be issued. This number is valid for fourteen (14) calendar days from the date of issue.
3. After obtaining the R.A. number, return the approved equipment to your distributor, referencing the R.A. number. Your distributor will then replace the product over the counter at no charge. The distributor will then return the product to EntraPASS using the same R.A. number.
4. **The distributor will NOT exchange this product without first obtaining the R.A. number from you. If you haven't followed the steps listed in 1, 2 and 3, be aware that you will have to pay a restocking charge.**

WARRANTY

EntraPASS warrants its products to be free from defects in the workmanship or materials, under normal use and service, for a period of one year from the date of purchase from any authorized EntraPASS distributor or 18 months from the date manufactured, whichever ever is greater. If at any time during the warranty period, the product is deemed defective or malfunctions, return the product to EntraPASS, 8641 S. Warhawk Rd., Conifer, CO, 80433. Customer must contact EntraPASS' Technical Support Department at 303-670-1099 to obtain a Return Authorization (R.A.) number.

This warranty does not cover any damage to the product due to lightning, over voltage, under voltage, accident, misuse, abuse, negligence or any damage caused by use of the product by the purchaser or others.

EntraPASS' sole responsibility shall be to repair or replace (at EntraPASS' option) the material within the terms stated above. EntraPASS SHALL NOT BE LIABLE FOR ANY LOSS OR DAMAGE OF ANY KIND INCLUDING INCIDENTAL OR CONSEQUENTIAL DAMAGES RESULTING DIRECTLY OR INDIRECTLY FROM ANY BREACH OF ANY WARRANTY EXPRESSED OR IMPLIED, OR FOR ANY OTHER FAILURE OF THIS PRODUCT. Some states do not allow the exclusion or limitation of incidental or consequential damages, so this limitation may not apply to you.

THIS WARRANTY IS IN LIEU OF ALL OTHER WARRANTIES, EXPRESSED OR IMPLIED, INCLUDING THE WARRANTIES OF MERCHANTABILITY AND FITNESS FOR A PARTICULAR PURPOSE, WHICH ARE HEREBY EXCLUDED BEYOND THE ONE YEAR DURATION OF THIS WARRANTY. Some states do not allow limitation on how long an implied warranty lasts, so the above limitation may not apply to you.

Installation and Specifications

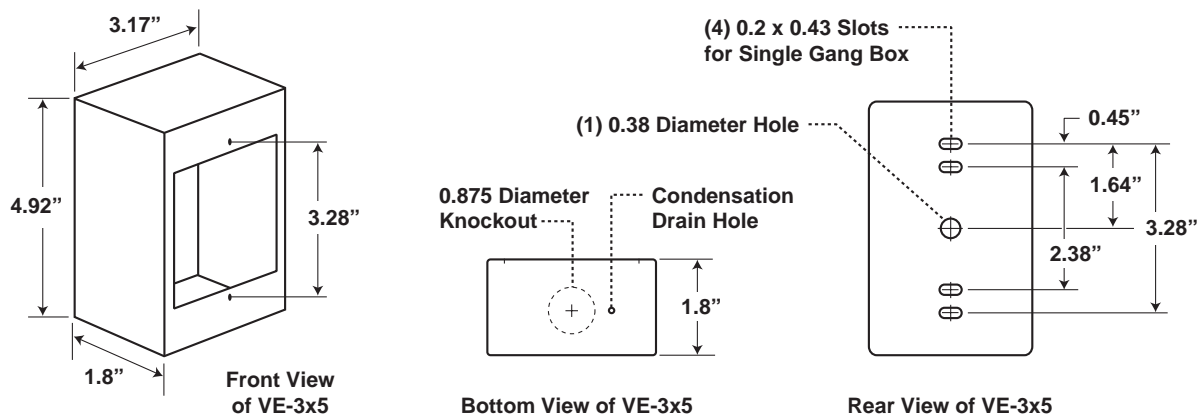
Important: The EntraPASS handsfree phones cannot be used in applications where there is a high level of background noise, such as a diesel truck idling. At these levels, the user will experience "one way talk path" and not be able to hear the person at the distant end. In applications where there is a high level of background noise, the model **K-1900-7-EWP**, **K-1900-8-EWP**, **W-3000-EWP** (in push-to-talk mode) or **E-30-PT-EWP** are recommended.

A. VE-3x5 Surface Mount Box

Material: 16 gauge CRS

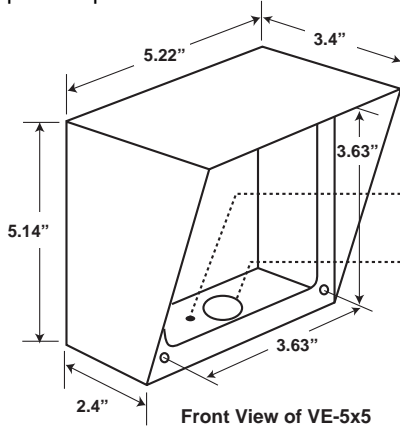
Finish: UV stable black fine texture powder paint

Important: The **VE-3x5** is not compatible with the **VE-GNP** pedestals.

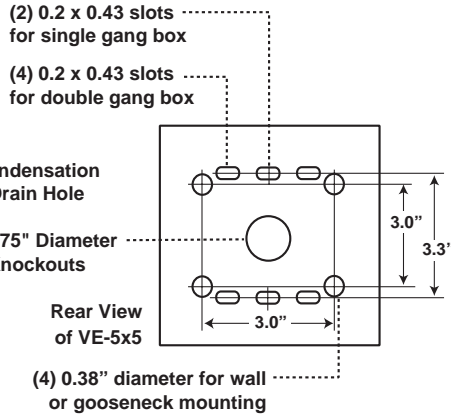


B. VE-5x5 / VE-5x5-SS Surface Mount Box

Material: 16 gauge CRS
Finish: UV stable black fine texture powder paint

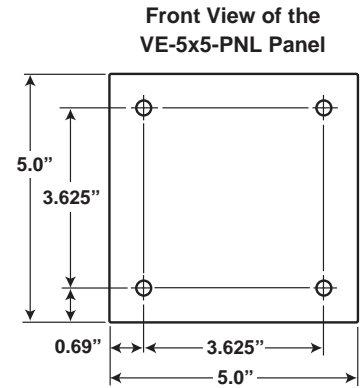


Material: 0.062 Marine Grade 316 stainless steel
Finish: #4B brushed



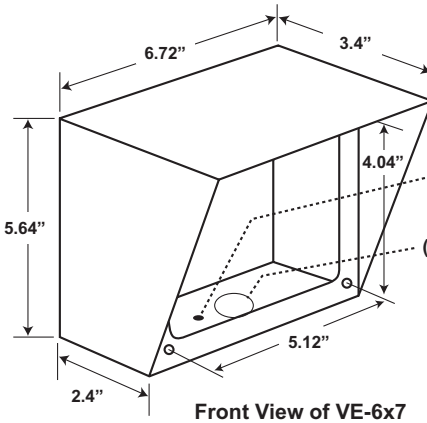
C. VE-5x5-PNL/SS Panel

Material: 12 gauge aluminum
Finish: UV stable clear gloss powder paint

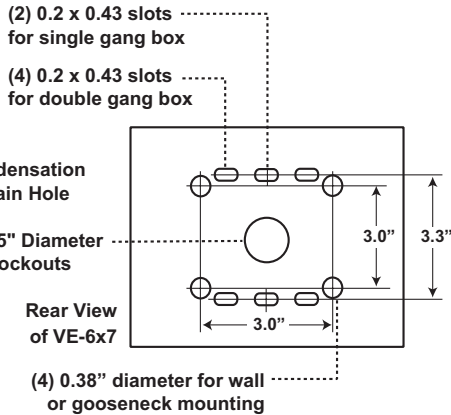


D. VE-6x7 / VE-6x7-SS Surface Mount Box

Material: 16 gauge CRS
Finish: UV stable black fine texture powder paint

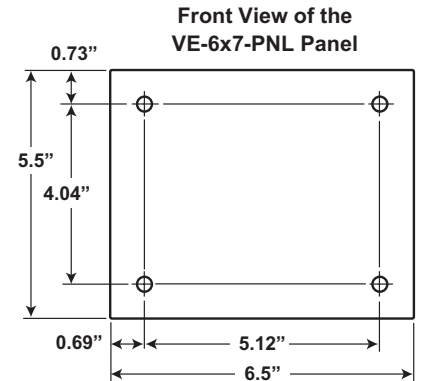


Material: 0.062 Marine Grade 316 stainless steel
Finish: #4B brushed



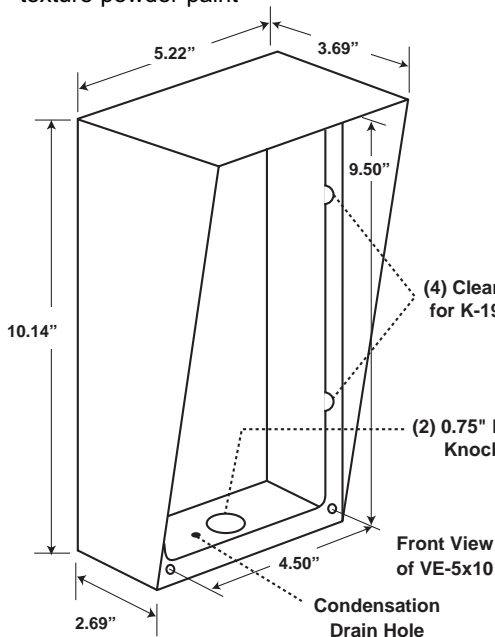
E. VE-6x7-PNL/SS Panel

Material: 12 gauge aluminum
Finish: UV stable clear gloss powder paint

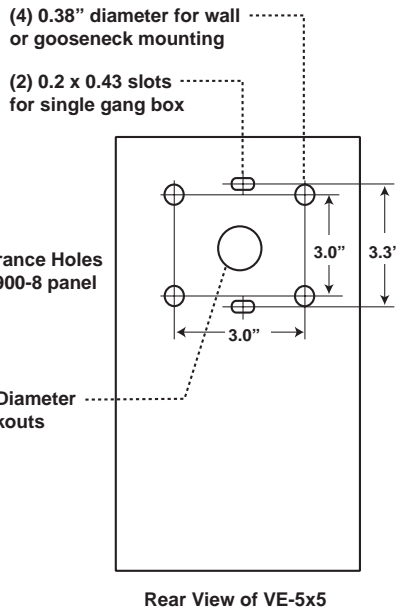


F. VE-5x10 / VE-5x10-SS Surface Mount Box

Material: 16 gauge CRS
Finish: UV stable black fine texture powder paint

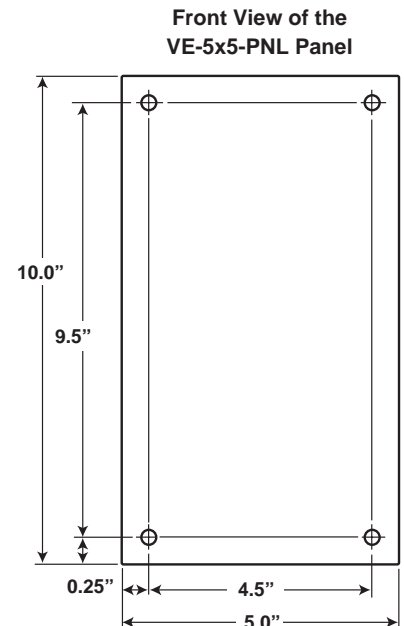


Material: 0.062 Marine Grade 316 stainless steel
Finish: #4B brushed



G. VE-5x10-PNL/SS Panel

Material: 12 gauge aluminum
Finish: UV stable clear gloss powder paint



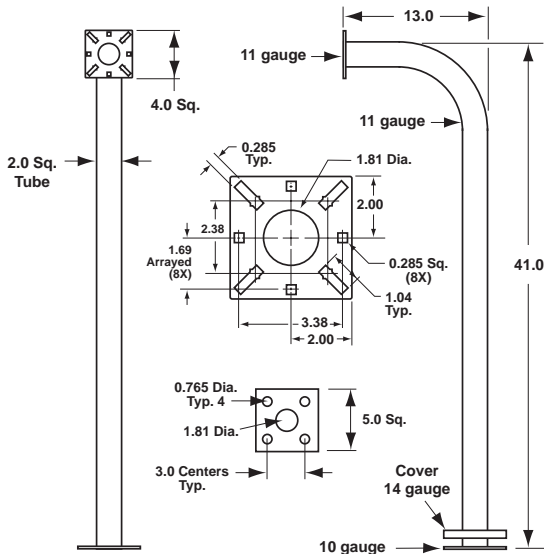
H. VE-GNP Gooseneck Pedestal

Description: 42" tall, pad mount, steel gooseneck pedestal. Universal car height for most applications.

Material: CRS (see gauges below)

Finish: UV stable black wrinkle powder paint

Note: Adhere included gasket to back of **VE-Series** backbox then fasten backbox to pedestal.



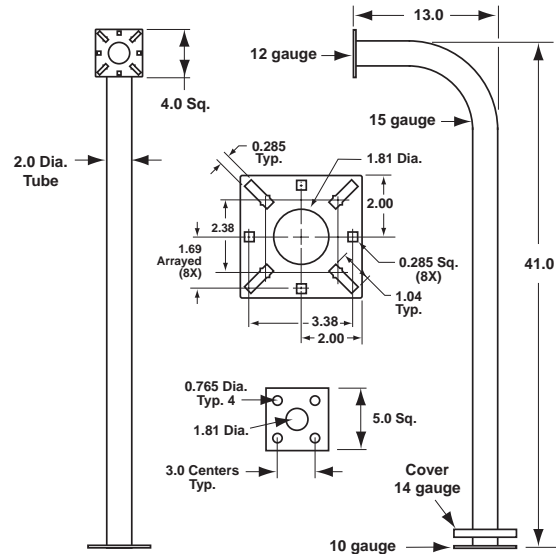
I. VE-GNP-SS Gooseneck Pedestal

Description: 42" tall, pad mount, stainless steel gooseneck pedestal. Universal car height for most applications.

Material: 304 Stainless Steel (see gauges below)

Finish: #4B Brushed

Note: Adhere included gasket to back of **VE-Series** backbox then fasten backbox to pedestal.



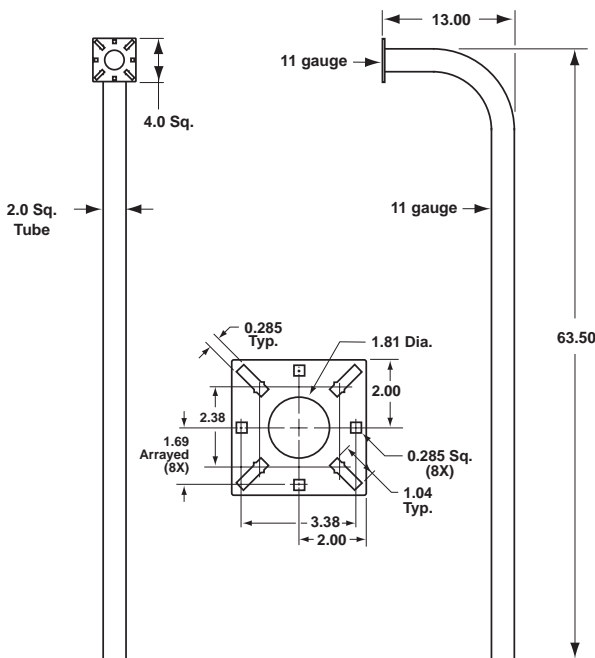
J. VE-GNP-IG

Description: 64" tall, in-ground/wet cement mount, steel gooseneck pedestal. Insert bottom approximately 22" into ground/cement for 42" tall pedestal (universal car height for most applications).

Material: CRS (11 gauge)

Finish: UV stable black wrinkle powder paint

Note: Adhere included gasket to back of **VE-Series** backbox then fasten backbox to pedestal.



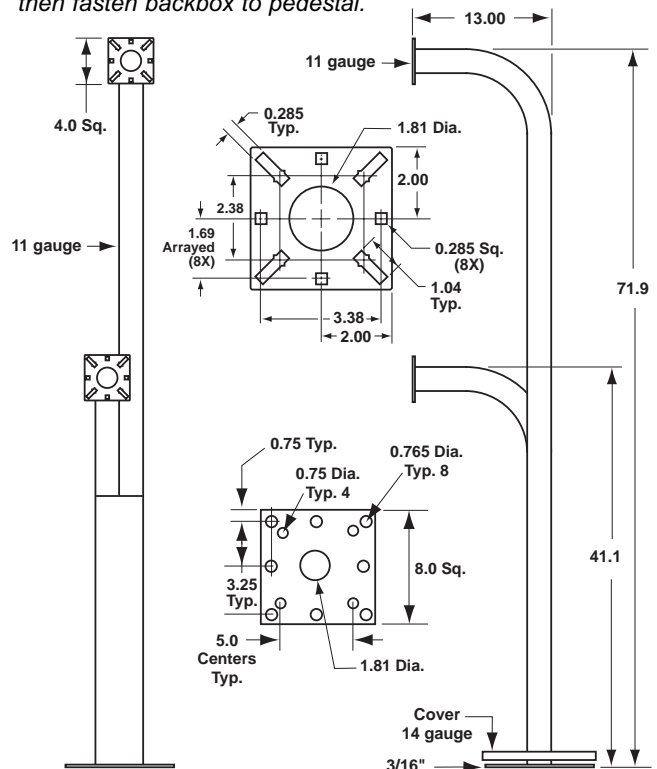
K. VE-GNP-2 Gooseneck Pedestal

Description: 42"/72" tall, dual-height, pad mount, steel gooseneck pedestal. Ideal for both car and truck applications.

Material: CRS (see gauges below)

Finish: UV stable black wrinkle powder paint

Note: Adhere included gasket to back of **VE-Series** backbox then fasten backbox to pedestal.



Product Support Line...303-670-1099 Fax ...303-679-8949

Due to the dynamic nature of the product design, the information contained in this document is subject to change without notice. EntraPASS, and its affiliates and/or subsidiaries assume no responsibility for errors and omissions contained in this information. Revisions of this document or new editions of it may be issued to incorporate such changes.