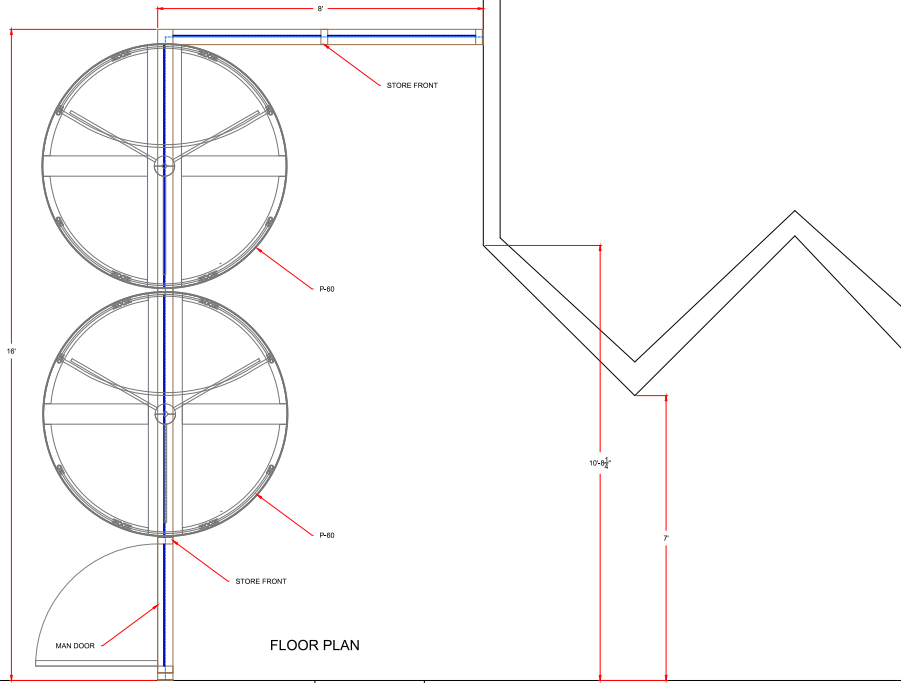
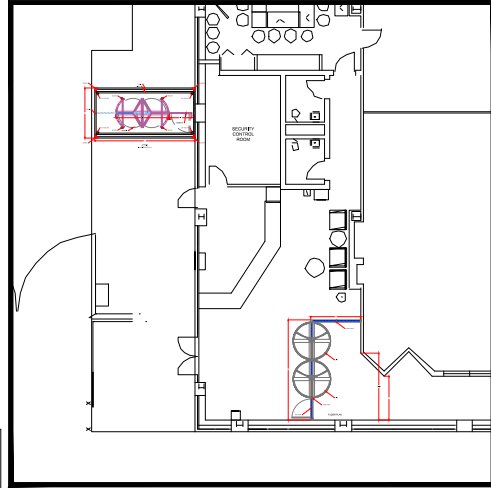
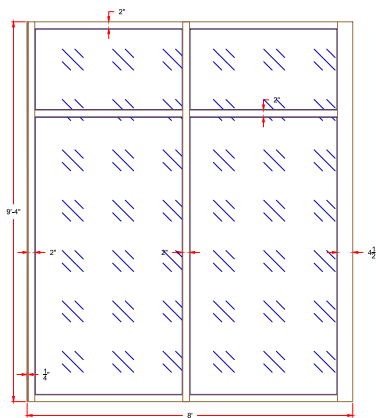


* DIMENSIONS MAY VARY IN ACTUAL INSTALLATION - FABRICATION CHANGES RESERVED *

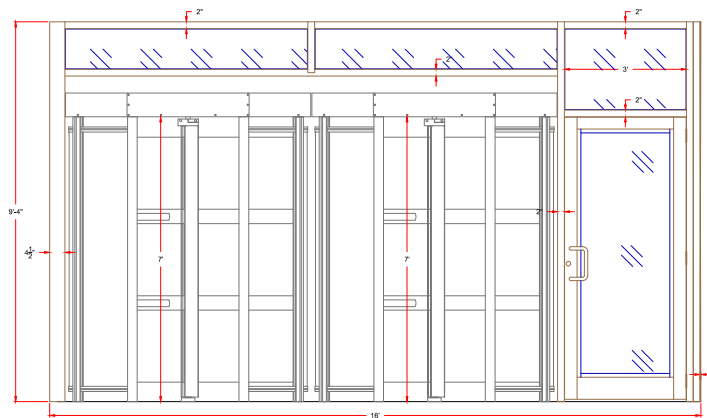
INSET



FLOOR PLAN



SIDE ELEVATION



FRONT ELEVATION

* FIELD MEASUREMENT REQUIRED *

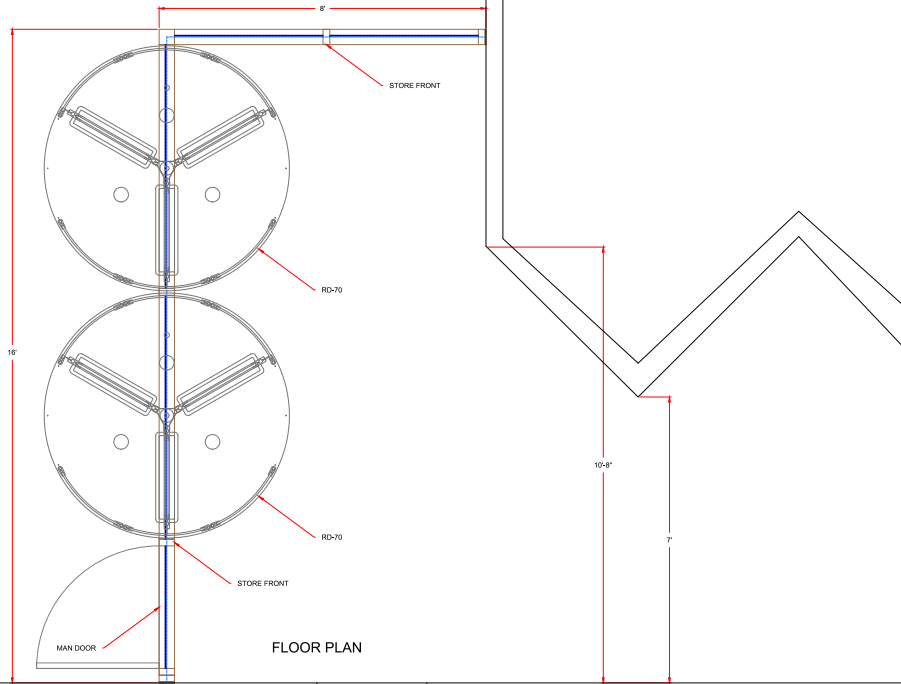
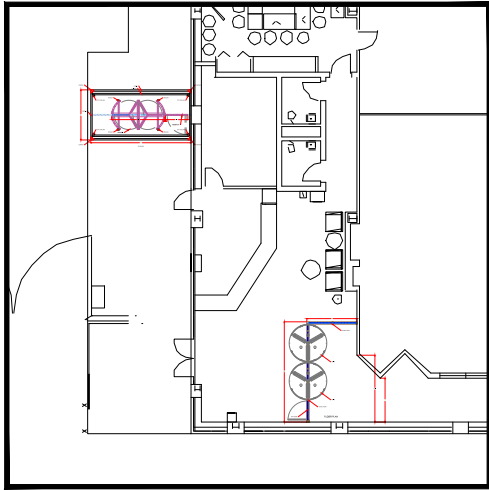
| FIRST DRAWN | BY |
|-------------|-----|
| 12/10/14 | CJC |
| REVISIED | BY |
| 02/17/15 | CJC |
| | |
| | |
| | |
| | |

www.TURNSTILES.us
 8641 South Warhawk Rd. Conifer, CO 80433
 Patrick McAllister Tel: 303-670-1099

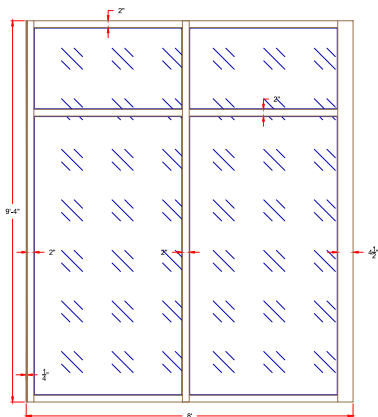
| INT. FLOOR PLAN | |
|-----------------|--------------|
| DWG | |
| DATE | 02 / 17 / 15 |
| SCALE = | < > |
| SHEET - 1 OF 2 | |

* DIMENSIONS MAY VARY IN ACTUAL INSTALLATION - FABRICATION CHANGES RESERVED *

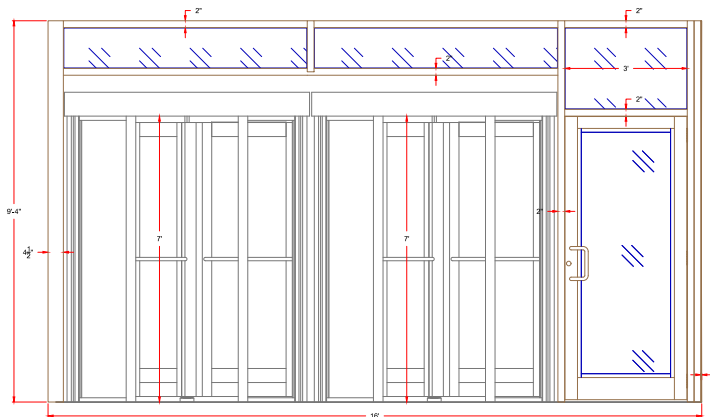
INSET



FLOOR PLAN



SIDE ELEVATION



FRONT ELEVATION

* FIELD MEASUREMENT REQUIRED *

| FIRST DRAWN | BY |
|-------------|-----|
| 12/10/14 | CJC |
| REVISED | BY |
| 02/17/15 | CJC |
| | |
| | |
| | |
| | |
| | |

www.TURNSTILES.us
 8641 South Warhawk Rd. Conifer, CO 80433
 Patrick McAllister Tel: 303-670-1099

| INT. FLOOR PLAN | |
|--|--------------|
| Custom High Security Canopy, Turnstile, ADA Installation | |
| DWG | |
| DATE | 02 / 17 / 15 |
| SCALE = | < > |
| SHEET - 2 OF 2 | |